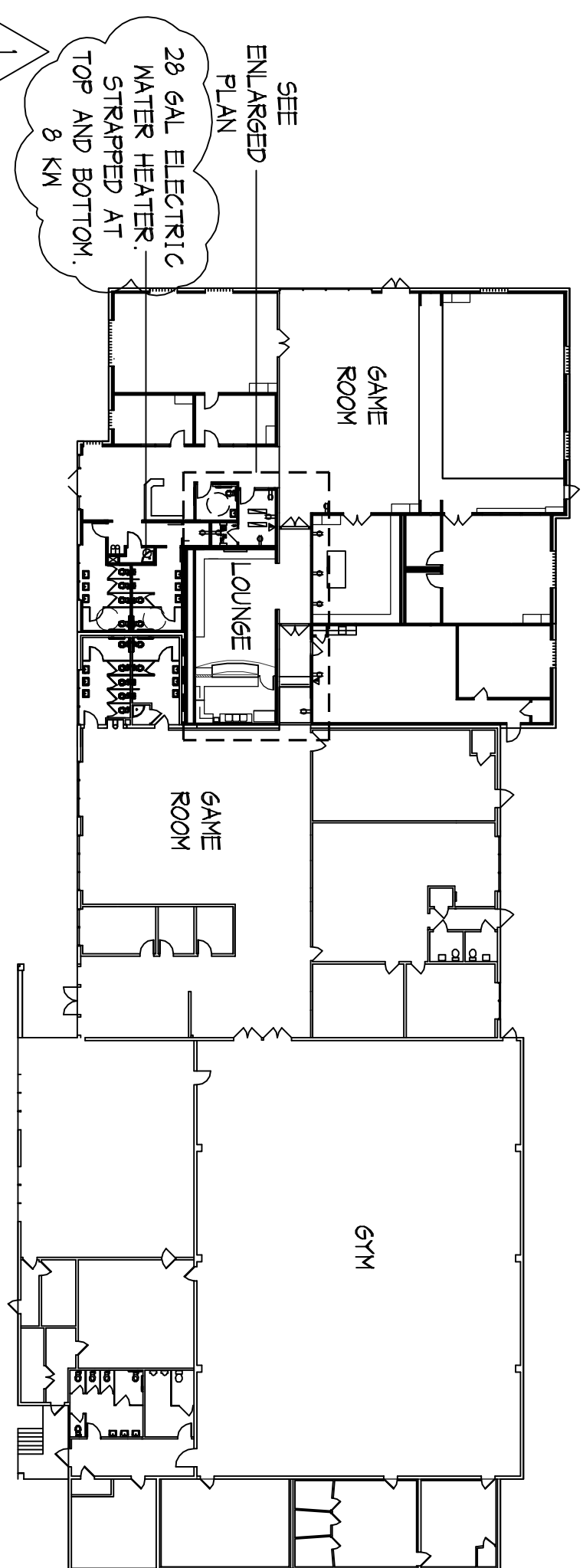


1
CYBER LOUNGE FLOOR PLAN
SCALE: 1/4"=1'-0"



KEY PLAN

NOT TO SCALE

EQUIPMENT LIST

- 1 TRUE REFRIGERATOR- DT SERIES. PROVIDE POWER AS REQUIRED. 5" CASTERS OR 6" LEGS.
- 2 TRIPLE BASIN SINK W/ INTEGRAL DRAINBOARD- STAINLESS STEEL 18"X18" BOWLS. NSF APPROVED.
- 3 NEW PLASTIC LAMINATE CABINETS W/ CORIAN COUNTERTOP.
- 4 FLOOR DRAIN- CONC FLOOR SLOPED TO DRAIN @ 1/4" IN 12".
- 5 RAISED CORIAN COUNTERTOP OVER RADUSED DRYPALL PARTITION.
- 6 ACCESSIBLE CORIAN COUNTERTOP.
- 7 NEW STAINLESS STEEL HAND SINK W/ 6" SPLASHGUARDS.

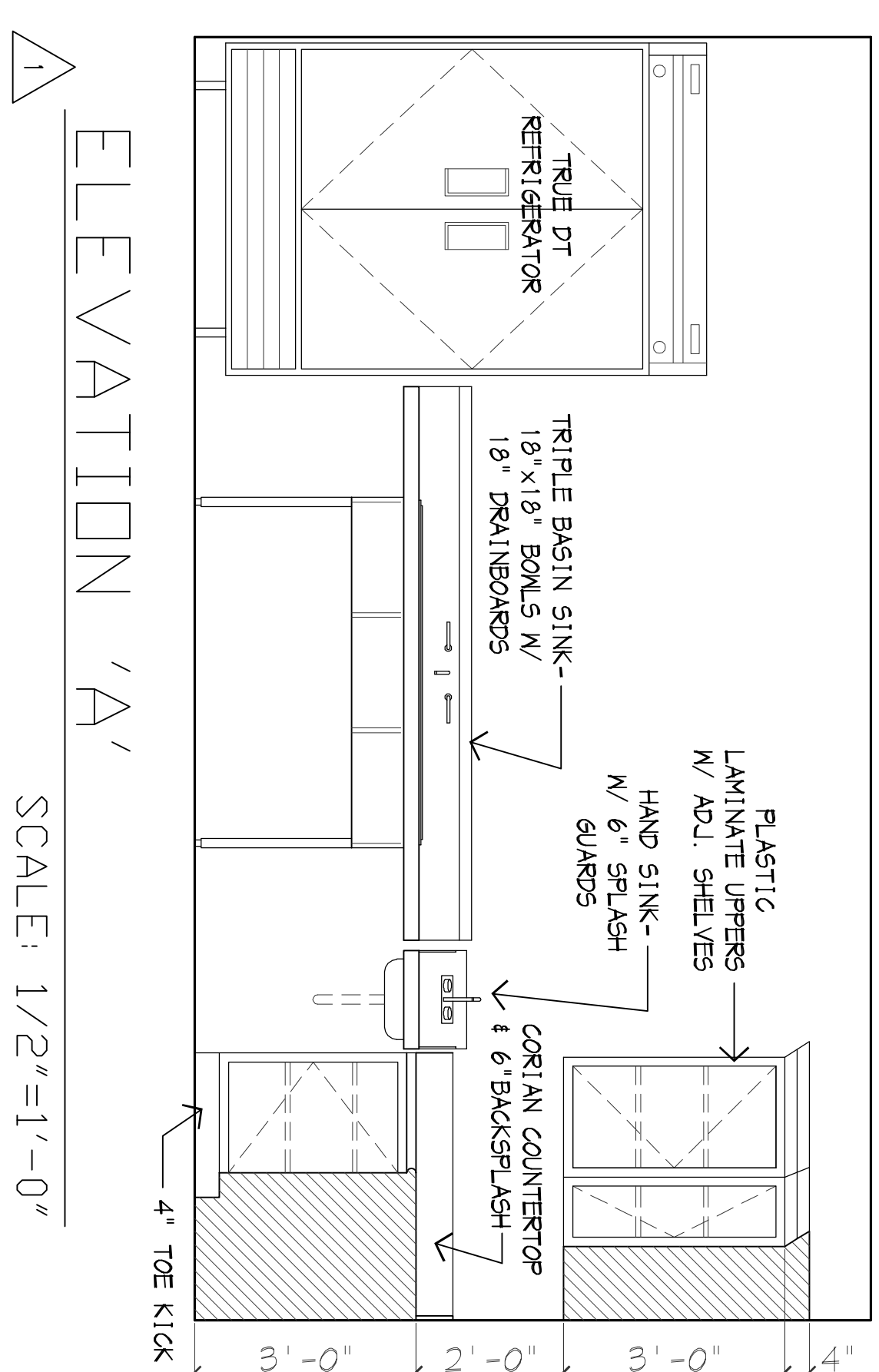
CONSTRUCTION NOTES

- * BUILDING IS COOLED BY A REFRIGERATED AIR CONDITIONING ON ROOF.
- * PROVIDE SELF-CLOSING DEVICE TO RESTROOM DOORS.
- * PROVIDE LIGHT ACTIVATED VENTILATION TO RESTROOMS.
- * RESTROOMS & JANITOR CLOSET FLOOR & WALLS TO 7' ARE EXISTING CERAMIC TILE W/ COVERD BASE- DALTILE- VERANDA.
- * RESTROOMS & JANITOR CLOSET TO BE PAINTED W/ SEMI-GLOSS PAINT ABOVE TILE & CEILING. SHERWIN WILLIAMS SW 6386 NAPERV.
- * HOT WATER IS SUPPLIED TO RESTROOM, JANITOR SINK AND SERVICE AREA VIA 20 GALLON COMMERCIAL ELECTRIC WATER HEATER STRAPPED TO WALL IN JANITOR CLOSET.
- * PROVIDE ACRYLIC LENSES FOR RECESSED DOWNLIGHTS IN FOOD PREP AREA.

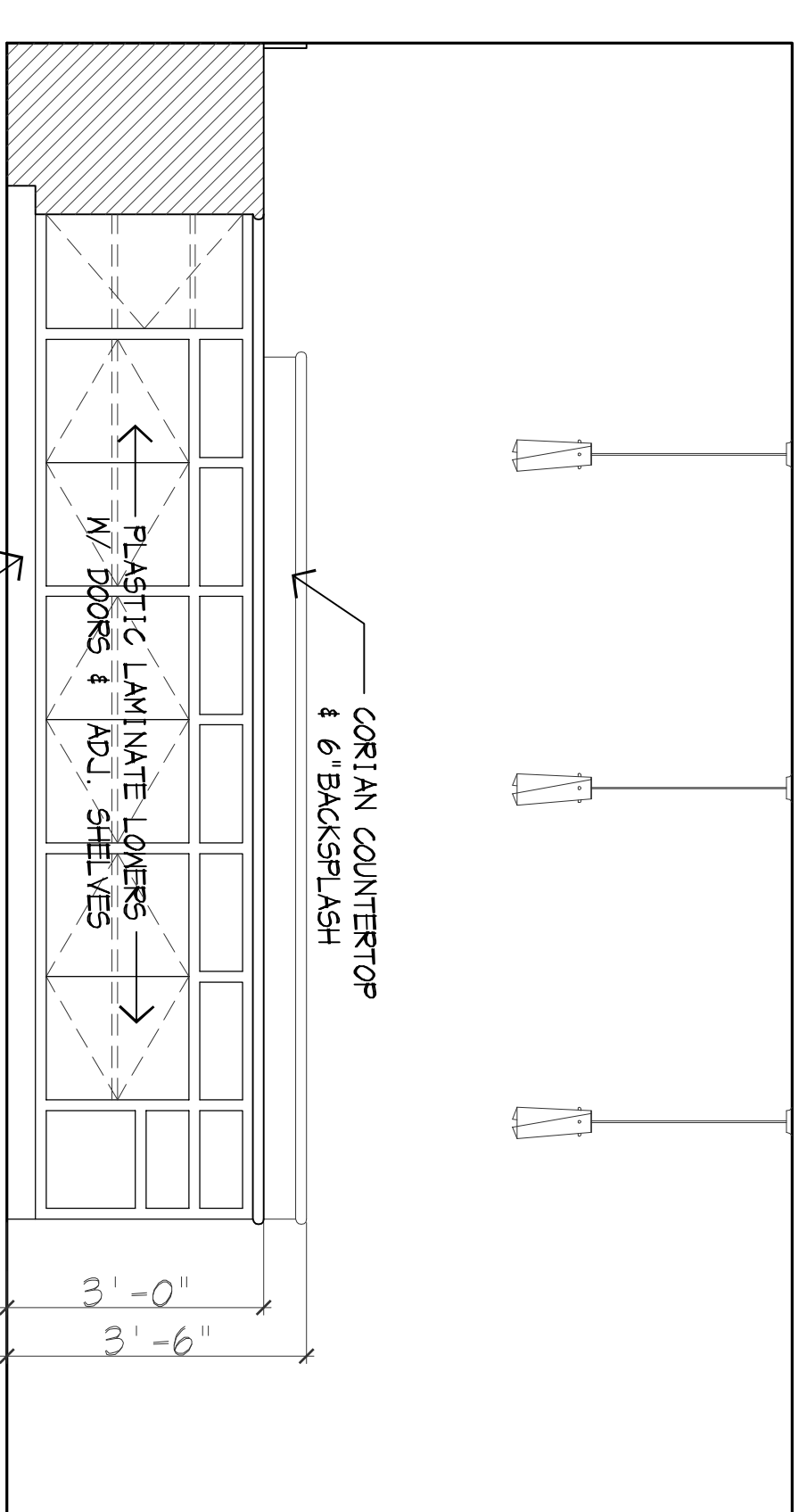
FINISH NOTES

- FLOOR: STAINED CONCRETE FLOOR- NAYED SCOFFLED- GEMENTONE SEALER
- BASE: 4" CERAMIC TILE BASE- DALTILE- 3/8" RADUIS 5-3019 T/N ONLY- AT CABINETS ALSO- TOP SET BASE
- MALLS: DRYMALL FINISH- PAINTED- SEMI GLOSS- SMOOTH FINISH SHERWIN WILLIAMS SW6653- DELICIOUS WELDON & SW 6601- CATENE
- CEILING: DRYMALL FINISH- PAINTED- SEMI GLOSS- SMOOTH FINISH SHERWIN WILLIAMS SW6386- NAPERV

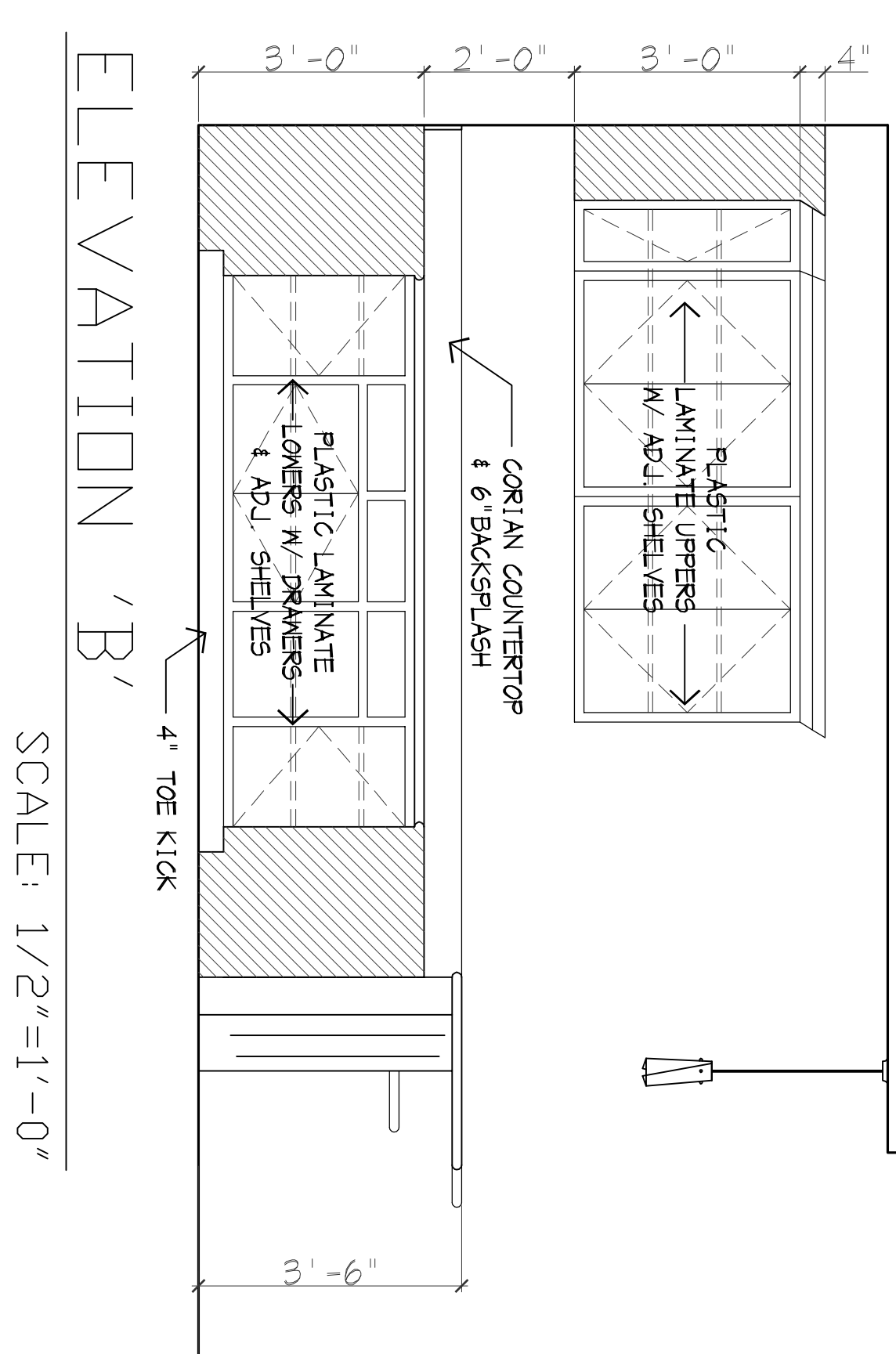
1 HEALTH DEPT. REVISIONS 4/23/08 JB



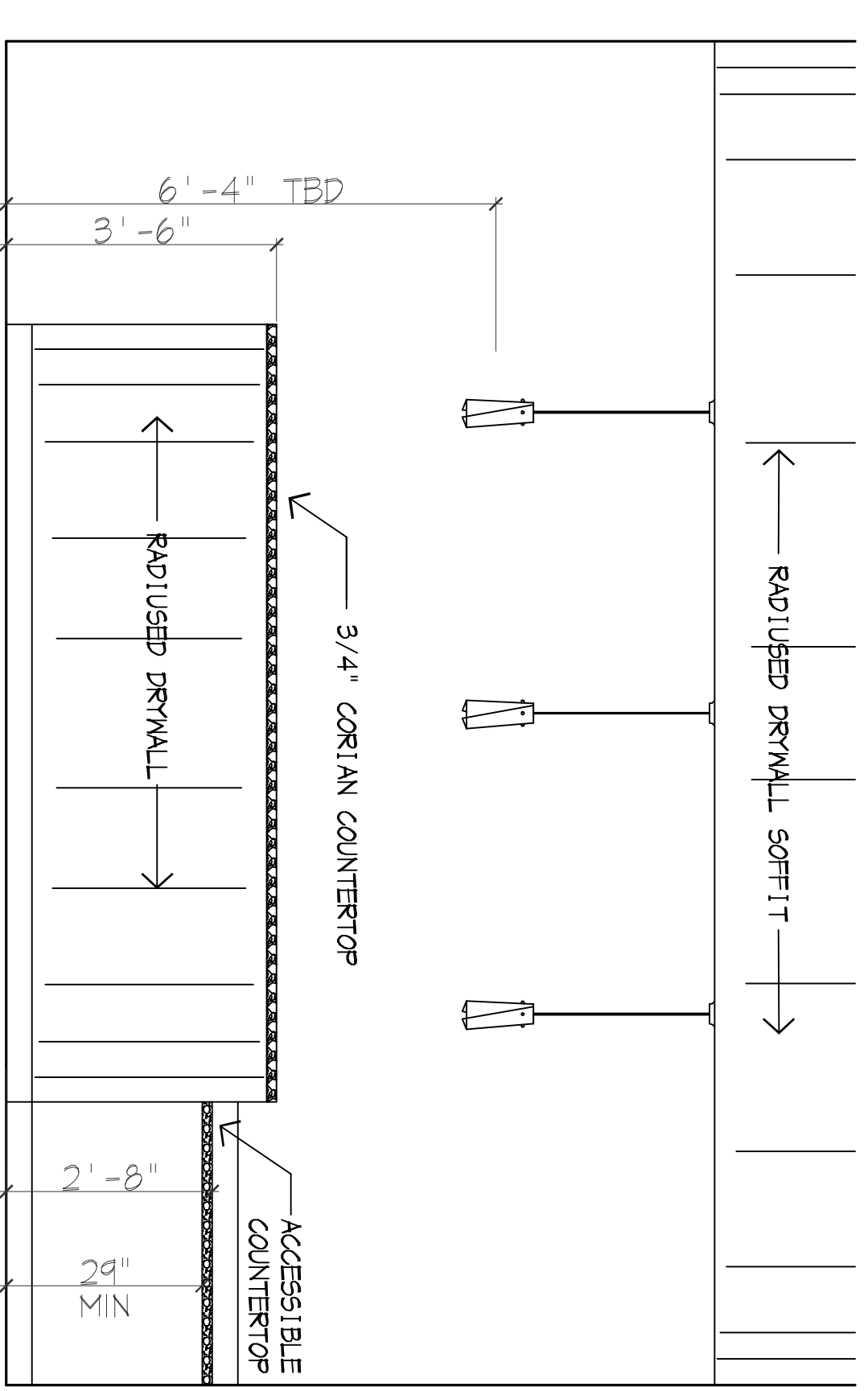
1
ELEVATION 'A'
SCALE: 1/2"=1'-0"



ELEVATION 'C'
SCALE: 1/2"=1'-0"

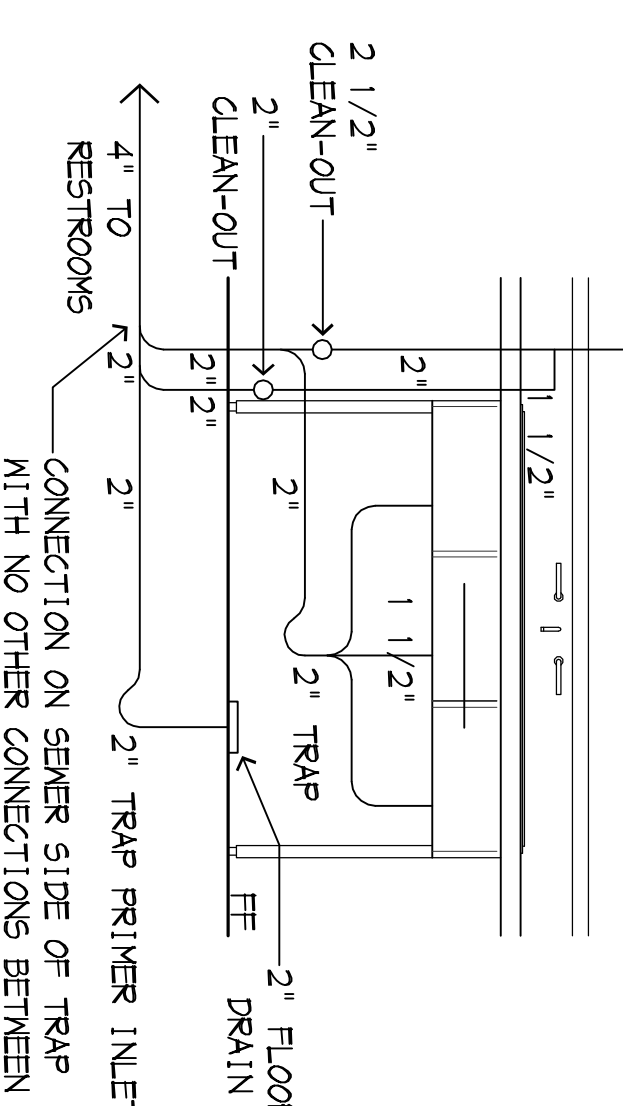


ELEVATION 'B'
SCALE: 1/2"=1'-0"



ELEVATION 'D'
SCALE: 1/2"=1'-0"

2" VENT TO ROOF



SINK DETAIL
NOT TO SCALE

CABINET SPECIFICATIONS:

1. ALL DOORS TO BE 3/4" MAPLE PLYWOOD WITH SOLID FRAMES & RAISED PANELS.
2. USE INVISIBLE HEAVY DUTY GERMAN HINGES FOR ALL DOORS.
3. FOR SHELVES, USE 3/4" PLYWOOD COVERED WITH HIGH PRESSURE LAMINATE (MELAMINE OR CORIAN OR EQUAL). ALL 4 SIDES.
4. COUNTERTOPS TO BE 3/4" THICK CORIAN W/ FULL BULLNOSE.
5. ALL DOORS TO HAVE LOCK & KEY.

FRANK POLITEO A.I.A.

DAL MO CHONG AND ASSOCIATES
1300 S BEACON ST SUITE 225 SAN PEBRO CA 90731
TEL. (310) 831-3035 FAX (310) 831-6344

PHASE 4 TEEN CENTER ADDITION TO:
WILMINGTON BOYS AND GIRLS CLUB

1444 WEST Q STREET WILMINGTON CA 90744

DATE: 7/3/08	DRAWN BY: JB	REVISION:	SHEET: ID-10
DATE: 7/3/08	CHECKED BY: JB	REVISION:	